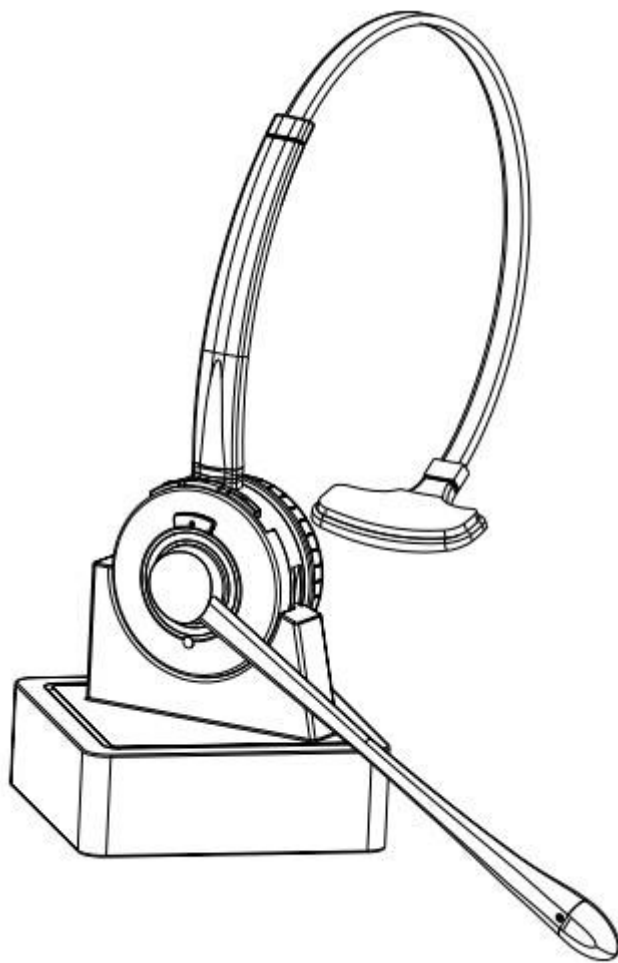


Bluetooth Headset



User Manual

User Manual

1. Welcome.....	3
2. Product Overview.....	3
2.1 Package Content.....	3
2.2 Headset Overview.....	4
2.3 Base Overview.....	5
3. Use Instructions.....	5
3.1 VT9712 BT Pairing with Bluetooth Device.....	5
3.2 VT9712 BT Usage.....	7
3.3 VT9712 BT Base.....	8
4.Features.....	8
4.1 Headset multi-function button.....	8
4.2 Headset Speaker Volume Button.....	9
4.3 Headphone Mute Button.....	9
4.4 Headset LED Indicators.....	9
5. Technical Specifications.....	13
5.1 VT9712 Bluetooth Headset.....	13
5.2 Headset Battery.....	13
5.3 Charging Base.....	14
5.4 Product Disposal Treatment and FCC statement.....	14

1. Welcome

Thank you for using the new VT9712 Bluetooth Headset. We are sure you will enjoy its wide range of features, and find the headset comfortable to wear and easy to use.

VT9712 BT headset features

- Wideband audio for exceptional sound quality.
- Volume and mute controls.
- Intuitive headset multi-function button for easy call handling.
- Busylight on headband and audio indicators.
- Advanced hearing protection with safetone™.
- Noise-cancelling microphone.

VT9712 BT base features

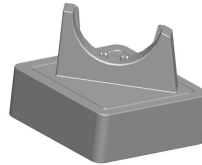
- Headset recharge docking cradle.
- Connect to PC for soft Phone(Skype for Business).
- Battery charging indicators.
- Pairing indicators.

2. Product Overview

2.1 Package Contents



Headset

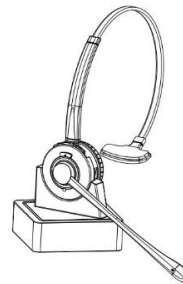


Charging base

Bluetooth Headset



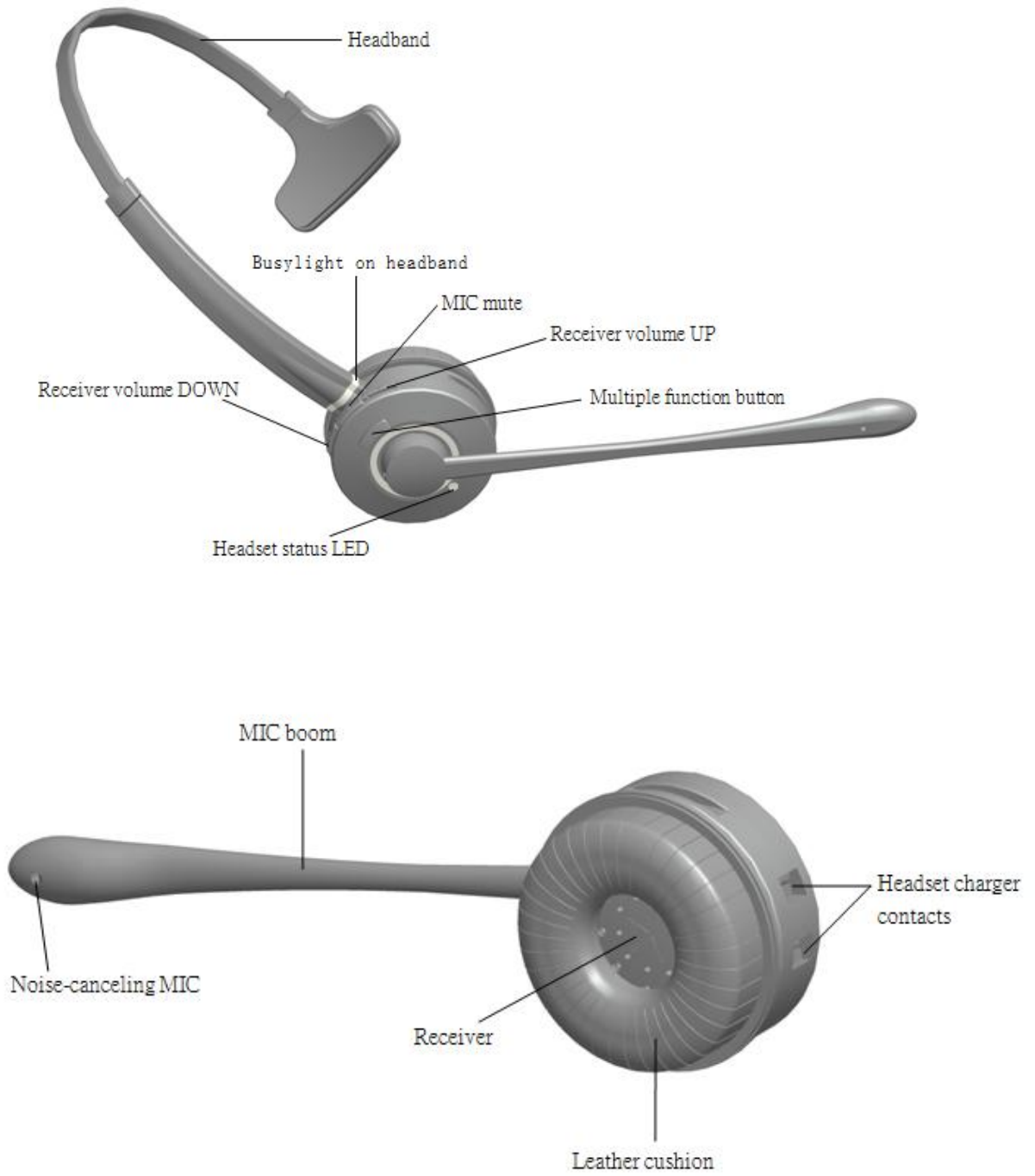
USB Cable



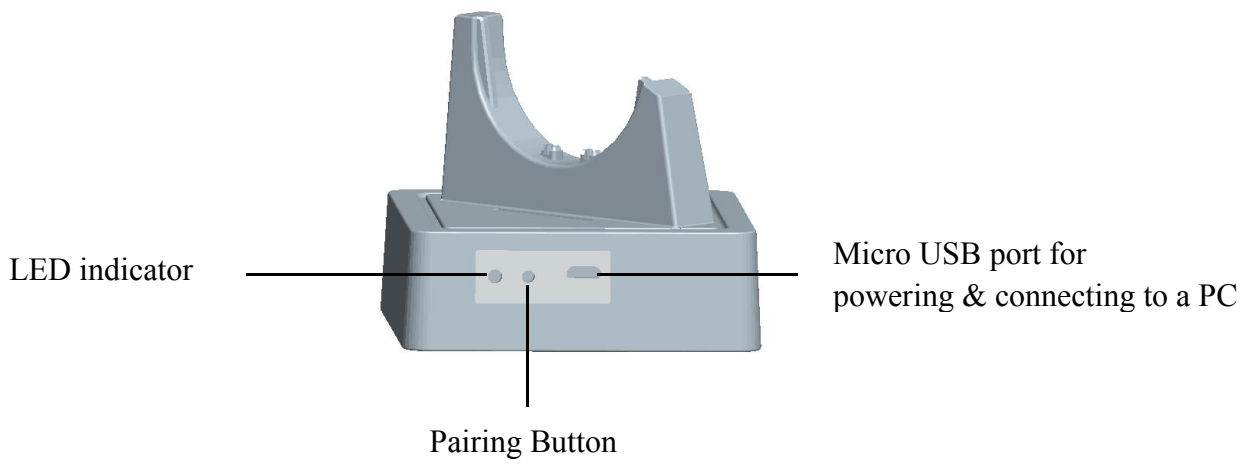
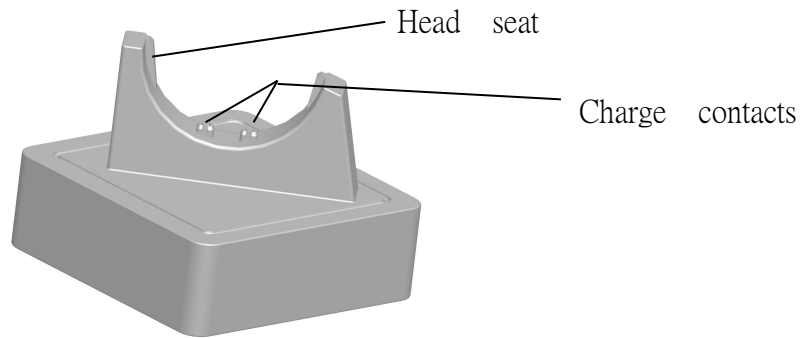
User Manual

User manual

2.2 Headset Overview




2.3 Base Overview



3. Use Instructions

3.1 VT9712 BT Pairing with Bluetooth Device

1. Be sure that your smart phone/ laptop with Bluetooth function.
 2. Active the Bluetooth function on your smart phone/ laptop.
 3. Turn on your headset
 4. Pairing headset with your smart phone/ laptop.
 - 1) Press the multi-function key  for more than 6s, the LED will flash red and blue alternately, which indicates the headset is in pairing mode.
 - 2) Search Bluetooth device on your smart phone/laptops. Open “Bluetooth” menu and press “discover” or “add” to search VT9712 BT on your smart phone/ laptop.
 - 3) When “VT9712 BT” showing on your Bluetooth devices list, please click it to begin the pairing. Sometimes, the PIN code “0000” is required.
 - 4) If pairing is successful, the LED will turn on blue and VT9712 BT icon will show on your smart phone/laptop. You can make calls or listen to music now. Next time, you don’t need to do pairing again, just click VT9712 BT icon to make connection.
 5. If pairing fails, please turn off the headset, and repeat step 4.
 6. VT9712 BT can pair with two devices simultaneously. If you want to pair VT9712 BT with another device simultaneously, please turn off Bluetooth function on the first smart phone/laptop and power off the headset. Then repeat step2,step3,step4 with the second smart phone/laptop. After pairing successfully, reactive the Bluetooth function on the first smart phone/laptop. You will find VT9712 BT is pairing with two devices now.
 7. If no smart phone/laptop is paired with the VT9712 BT within 120S in pairing mode, the VT9712 BT will shut down to save power consumption automatically.
 8. After getting paired with VT9712 BT, you can rename it on your smart phone/laptop.
- Tips: Headset is using a procedure called "pairing" to connect to a Bluetooth device.

3.2 VT9712 BT Usage

1. Answer a Call:

After smart phone/laptop successfully pairing with VT9712 BT, the headset will ring when a call coming, please press the multifunction key to answer it.

2. Hang up a Call

Please short press the multifunction key to hang up a call.

3. Microphone mute and on:

During a call, short press the MUTE button will make microphone on mute status. If short press the MUTE button again, the microphone will be on.

4. Volume Adjustment

Short click volume + key to increase the volume while short click volume - key to decrease it.

5. Busylight on headband

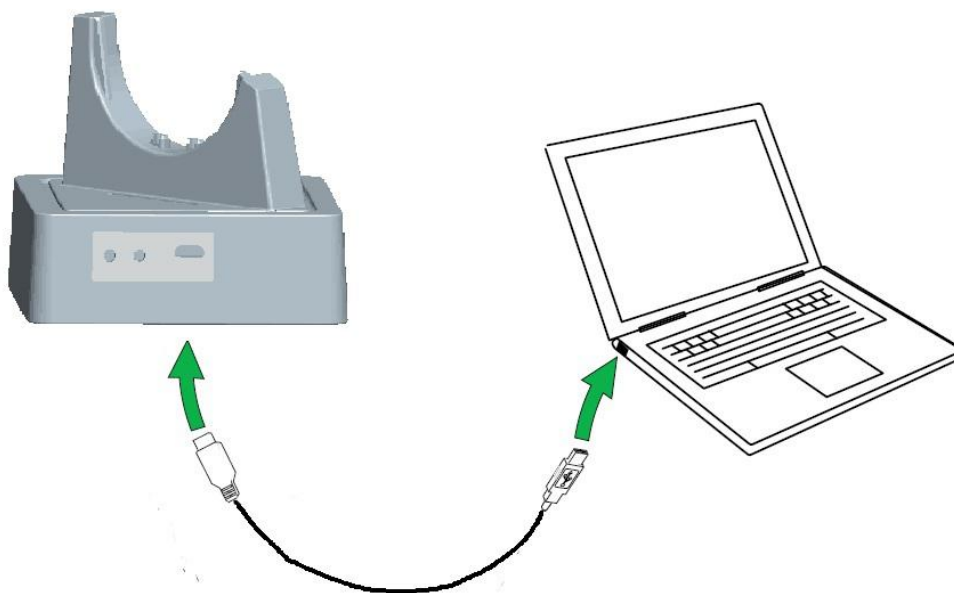
When connect PC or Mobile Phone the Busylight is green, if call coming the Busylight is red and flash, if you answer the call, the Busylight is red and always light on until call end. When call end Busylight is green.

3.3 VT9712 BT Base

1. Pairing

When VT9712 BT headset into pairing mode, push the VT9712 BT Base pairing button and then the blue LED flash, it means Base into the pairing mode, VT9712 BT headset will connect to Base in 120s. if you want pairing VT9712 BT Base and another Bluetooth device(mobile phone) please see the 3.1.6.

2. Connect the Base Unit to a computer using the USB cable, Launch Skype for Business and choose VT9712 as the audio device so you can use the headset multi-function button to answer/end calls.



3. Charging

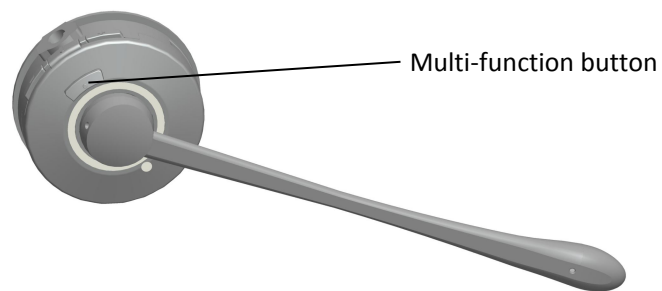
When VT9702 BT headset is charged, the red light is on and when the headset is fully charged the blue light is on. Taking the headset off from the base, the headset will be in standby mode and it will automatically

shut off to save power if the pairing is cut off.

4. Features

4.1 Headset multifunction button

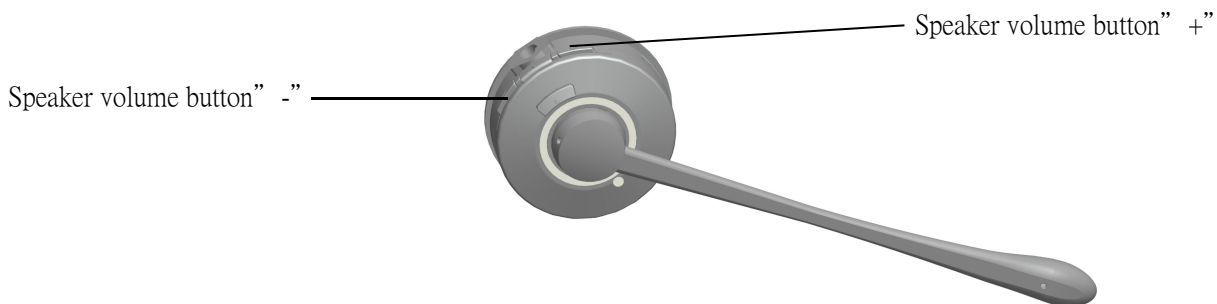
Short or long press the Multifunctional button to answer and end a call .



Function	Short press	Long press
Answer a call	√	
End a call	√	
<hr/>		
Power on		3s
Pairing		6s+
Power off		3s
<hr/>		

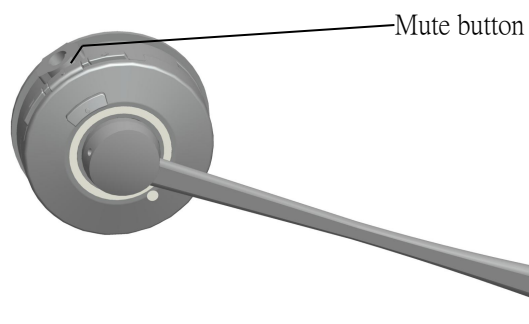
4.2 Headset Speaker Volume Button

The speaker volume buttons: to adjust the headset speaker volume.



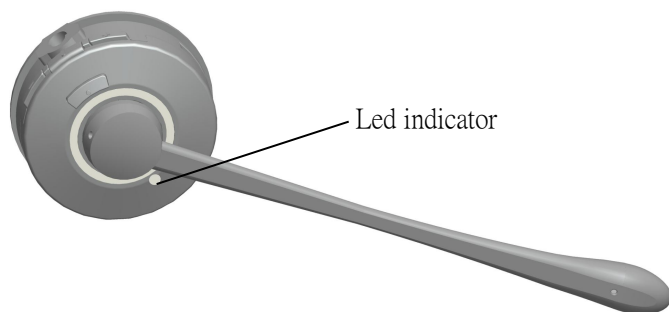
4.3 Headset Mute Button

Mute button: to make the microphone mute or on.



4.4 Headset LED Indicators

LED indicates call status



Headset status	LED status
Power on	Blue light flashes four times (300ms on, 300ms off)
Power off	Red light flashes once (2s)
Pairing mode	Blue light and red light flash alternately (red light on 750ms, blue light on 750ms)
Pairing successfully	Blue light flashes (300ms on,8s off)
Answer a call or play music	Blue light flashes (300ms on,8s off)
Charging	Red light on
Fully Charged	Blue light on

5. Technical Specifications

5.1 Headset

- Wideband audio for exceptional sound quality.
- Volume and mute controls
- Advanced hearing protection with safetone™.
- Bluetooth Version: V5.0 backward compatible.
- Advanced Multi-points
- Profile: Headset: 1.2 Handsfree: 1.6 A2DP
- Microphone with noise cancellation
- Crystal clear sound and voice(DSP)
- Range: up to 30m
- Talk time: 15 hours from 300mAh battery
- Stand by time: 500 hours
- Working environment: 0 ° C to +40 ° C; up to 95% relative humidity non-condensing.
- Visual indicators: LED indicates call status, pairing status and others.
- Beep: indicate volume level, microphone mute, and others.
- Sound: Mic Noise canceling, the sixth generation CVC echo cancellation, tone control.
- Charging: When VT9712 BT docking the base

5.2 Headset battery

Battery type: Lithium-ion polymer.

Battery capacity: 300 mA per hour standard.

Battery talking time: Up to 15 hours.

Battery life: Minimum recharging 1000 times.

Battery standby time: At east 500 hours.

Operating temperature range: -20 ° C to +60 ° C.

Battery charging time: Less than 60 minutes to charge 20%.

Less than 90 minutes to charge 50%.

Fully charged in less than 3.5 hours.

Battery storage life: Before first charging, if turn off the headset, the battery will have power for six months.

5.3 Base

VT9712 BT charging base meets the following specifications.

Port: Micro USB port for charging and connect to PC.

Size: 81 mm x 81 mm x 67 mm.

Weight: 135±5g

5.4 Product Disposal Treatment and FCC statement

5.4.1 Dispose of in accordance with local regulations as headphones and recycling regulations. Never treated headset as household waste. Do not dispose of the headset in a fire, this battery may explode. If damaged, the battery may explode.

5.4.2 FCC statement:

This device complies with part 15 of the FCC Rules. Operation is subject to the following two conditions: (1) This device may not cause harmful interference, and (2) this device must accept any interference received, including interference that may cause undesired operation.

Warning: Changes or modifications not expressly approved by the party responsible for compliance could void the user's authority to operate the equipment.
Note: This equipment has been tested and found to comply with the limits for a Class B digital device, pursuant to part 15 of the FCC Rules. These limits are designed to provide reasonable protection against harmful interference in a residential installation. This equipment generates uses and can radiate radio frequency energy and, if not installed and used in accordance with the instructions, may cause harmful interference to radio communications. However, there is no guarantee that interference will not occur in a particular installation. If this equipment does cause harmful interference to radio or television reception, which can be determined by turning the equipment off and on, the user is encouraged to try to correct the interference by one or more of the following measures:

- Reorient or relocate the receiving antenna.

- Increase the separation between the equipment and receiver.

- Connect the equipment into an outlet on a circuit different from that to which the receiver is connected.

- Consult the dealer or an experienced radio/TV technician for help.

RF Warning Statement:

This equipment complies with FCC radiation exposure limits set forth for an uncontrolled environment. this transmitter must not be co-located or operating in conjunction with any other antenna or transmitter.